



Binary Counter Valve

Catalogue PDE2308TCUK-ab



Binary counter valve

1 Signal= 2 functions

Type TD 210-GR - pneumatic actuated
TD 213-GR - electrical actuated

Technical description

As a completion of the existing valve program, Parker Pneumatic has developed a new Binary Counter Valve.

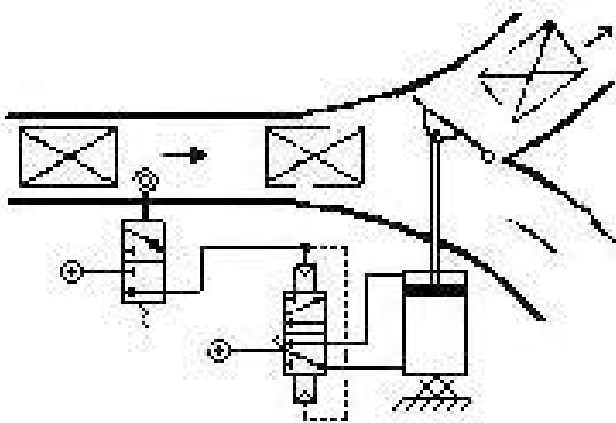
This new binary counter is available in both a pneumatic actuated version, as well as, an electrically actuated version. The 5/2 way main valve has a flow capacity of 460 l/min. This gives the valve the ability to operate a compressed air cylinder with bore diameter up to 80 mm.

An air-pilot actuated version is also available upon request.

The binary counter is pulse operated. Each control signal means that the both outlet ports will be alternately energized and exhausted.

The binary counter has been designed utilizing existing Parker components and manufacturing techniques. This valve contains no mechanical binary counter parts, but rather is based on an integrated sequence operation. With the absence of mechanical parts, the friction on the inside of the valve is reduced to almost zero. By using existing components and sealing techniques, the product reliability is on the same high level as other Parker products. Up to 10 million cycles may be achieved with this valve under certain conditions and with proper installation.

The binary counter is suitable for numerous pneumatic applications. The simple control function of the valve, along with materials and compact size, make this product ideal for transport and food applications. This valve has the capabilities to control slides, flaps, doors, and locks for conveyor systems to name few. A typical transport application would be controlling a bus door.



Binary counter valve

General information

Binary counter valve is a pulse operated 5/2-way valve. This means each control signal outlet and inlet ports will alternately energized and exhausted.

Way of controlling the binary counter valve can be both, electrical and pneumatical with one single switch or button. Actuation the valve happens with a puls. By actuation a control button or switch the valve will change positions, controlling the same button or switch the valve returns into start position.

Controlling this valve is based on a internal integrated sequence system. Actuation happens with two pilot spools and a main spool fully intergrated in an aluminium valveblock. No 'common' mechanical parts, ball-point principle, are used in this binary counter valve. Under right conditions and proper installation 10 million of cycles can be achieved.

Ordering codes

Binary counter valve
- pneumatic actuated : **2147900** drawing: 810443
- electric actuated* : **2147950** drawing: 810518

* Standard delivery without solenoid.
Standard Parker solenoid P2E series can be ordered separately. Look under Parker P2E solenoid valve series for ordering codes.

Technical information valve

Medium: Compressed air, filtered to min. 50µ, lubricated or non-lubricated, dried or non-dried, above dewpoint
Air pressure: 4 bar – 10 bar
Temperature range: 0°C up to 70°C.
Flow: 460 NI/min

Used materials

Body: Anodised aluminium
Spool: Brass
Seals: NBR and PTFE
Others: Steel

Mounting

Drilled mounting holes on mounting plate, suitable for bolts M4

Connections

Pneumatical

Air connection (1): G1/4"
Exhaust (3, 5) and outlet ports (2,4): G1/4"
Actuation port: G1/8"

Electrical

Air connection (1): G1/4"
Exhaust (3, 5) and outlet ports (2,4): G1/4"
Electrical connection: P2E-solenoid, DIN 43650 form C

Ordering codes

Pneumatic actuated

Description: TD210-GR
Codenummer: **2147900**
Drawing number: 810443

Electric actuated

Description: TD213-GR*
Codenummer: **2147950**
Drawing number: 810518

* Without solenoid and cable plug

Electric actuated complete with solenoid and cable plug

Description:
- Binary counter valve complete with solenoid and cable plug TD213-GR
- Solenoid: P2E-KV32C1 (24VDC) manual override, non locking
- Cable-plug: P8C-H (without LED,VDR and REC)

Codenummer:
- Binary counter valve: **2147950**
- Solenoid and cableplug has to be ordered separately
- Solenoid: **P2E-KV32C1**
- Cable plug: **P8C-H**



Caution

When a speed regulation system is needed, do not fit this part in the outlet of the binary counter valve, but fit this part in connection direct in cylinder. By fitting the speed regulator direct in the outlet port of binary counter valve a unreliable function can occur.

Binary counter valve

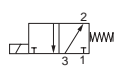
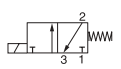
Order key, solenoid valves

P	2	E	-	K	V	3	2	C	1
----------	----------	----------	---	----------	----------	----------	----------	----------	----------

Valve family	
P2E	Solenoid valves

Subfamily	
Solenoid valve, 15 mm wide Electric connection acc. to DIN 43650, form C EI/supply connection on opposite side	
K	Standard version
M	Mobile version
Q	Food industry version

Type of current	
1	AC 50 Hz
2	DC
4	AC 50/60 Hz
5	Mobile and wide band only


Valvetype/Function	
1	 3/2 valve, normally open(NO) For standard "K"
3	 3/2 valve, normally closed (NC)

Voltage	
B	12 V
C	24 V
D	48 V
F	115 V*
J	230 V*
W	37,5 V**
T	72 V**
Y	78 V**
V	96 V**
E	110 V**

Overrides	
0	Without
1	Non locking (blue)
2	Locking (yellow)
3	Extended non locking (blue)
4	Extended locking (yellow)

* For standard "K" and food type "Q" only
** For mobile "M" version only

Technical data

	NC, Standard	NO, Standard	NC, Food¹⁾	NC, Mobile²⁾
Working pressure	0 to 10 bar	0 to 10 bar	0 to 10 bar	1 to 10 bar
Working temperature	-15 °C to +60 °C	-15 °C to +50 °C	-15 °C to +60 °C	-40 °C to +70 °C
Orifice	1,0 mm	1,1 mm	1,0 mm	1,0 mm
Flow Qmax	33 NI/min	33 NI/min	33 NI/min	22 NI/min
Power, hold	DC 1,2 W / AC 1,6 VA	DC 1,8 W / AC 2,4 VA	DC 1,2 W / AC 1,6 VA	DC 1,4 W
Power, surge	DC 1,2 W / AC 3,5 VA	DC 1,8 W / AC 5,5 VA	DC 1,2 W / AC 3,5 VA	DC 1,4 W
Connection time	100%	100%	100%	100%
Voltage tolerance	+10%/-15%	+10%/-15%	+10%/-15%	+25%/-30%
Electric connection:	DIN 43650 form C			
Port pattern:	To future CNOMO standard			
Protection:	IP 65 - IP 67, depending on type of cable plug			
Approval:	Some valves are UL-approved and marked with the following symbol 			
Working media:	All neutral media, such as compressed air, water, hydraulic oil and many gases.			
1) Design:	Completely smooth exterior, suitable for food industry.			
2) Mobile standard	According to European standard EN 50 155.			

Transients

Interrupting the current through the solenoid coil produces momentary voltage peaks which, under unfavourable conditions, can amount to several hundred times the rated operating voltage. Normally, these transients do not cause problems, but to achieve the maximum life of relays in the circuit (and particularly of transistors, thyristors and integrated circuits) it is desirable to provide protection by means of voltage-dependent resistors (varistors). All cable plugs with a yellow LED also incorporate such protection.

Service life

With compressed air at 6 bar, 20 °C and complying with the requirements for compressed air quality as set out in ISO8573-1 norm (class 4 for dry and class 5 for filtered), the valves should have a life of at least 50 million operations.

Materials

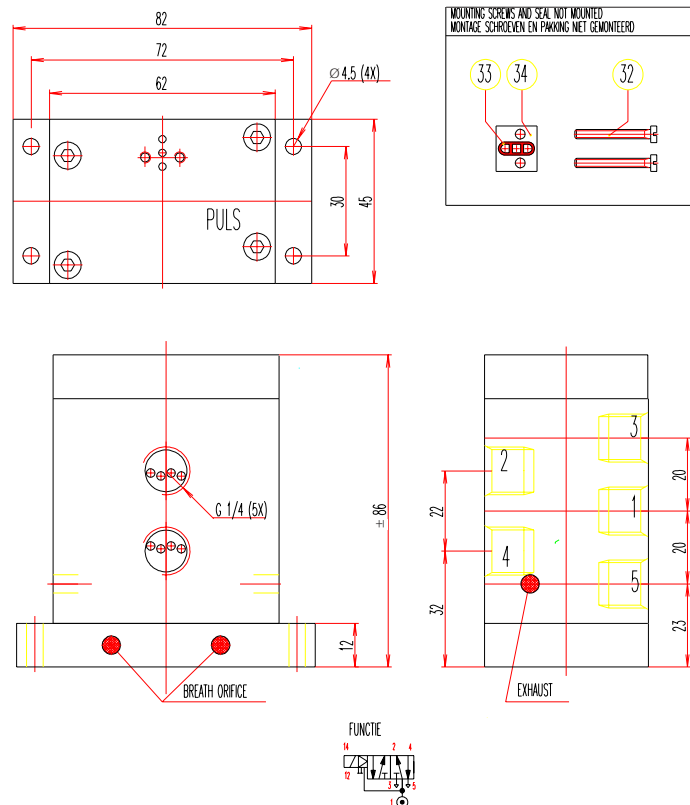
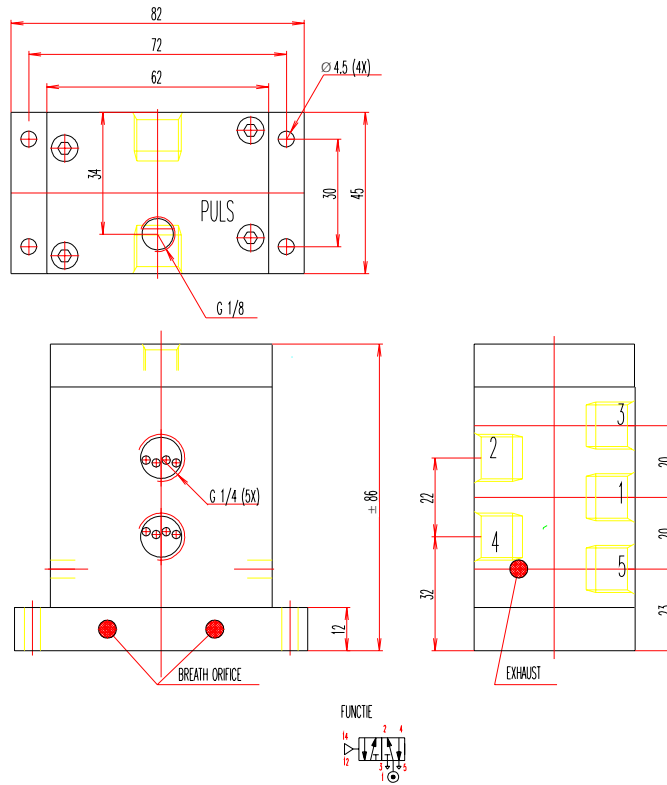
Valve

Body, coil casing	Thermoplastic
Internal metal parts	Steel
Screws	Stainless steel
Bottom plug	Thermoplastic
Sealing materials	FPM (Viton™) and nitrile rubber

Cable head

Sheath	Thermoplastic
Retaining screw	Stainless steel, zinc-plated steel

Binary counter valve



Technical data:

Medium: Compressed air, lubricated or non-lubricated
 (Once lubricated air is supplied, this must be maintained)
 Working pressure: 4 bar to 10 bar
 Ambient temperature range: 0°C up to +70°C

Materials:

Covers: Aluminium anodized
 Body: Aluminium anodized
 Seats: NBR and Plastic

www.parker.com

Pneumatic Division Sales Offices

Austria - Wr.Neustadt

Tel: +43 2622 23501
Fax: +43 2622 66212

Belgium - Nivelles

Tel: +32 67 280 900
Fax: +32 67 280 999

**Czech & Slovak
Republics - Prague**

Tel: +420 283 085 221
Fax: +420 283 085 360

Denmark - Ishøj

Tel: +45 43 560400
Fax: +45 43 733107

Finland - Vantaa

Tel: +358 9 4767 31
Fax: +358 9 4767 3200

France - Evreux

Tel: +33 820 825 239
Fax: +33 820 029 870

Germany - Mettmann

Tel: +49 2104 137-0
Fax: +49 2104 137-500

Greece - Athens

Tel: +30 10 933 6450
Fax: +30 10 933 6451

Hungary - Budapest

Tel: +36 1 220 4155
Fax: +36 1 422 1525

Italy - Corsico, Milan

Tel: +39 02 4519 21
Fax: +39 02 4479 340

Netherlands - Oldenzaal

Tel: +31 541 585000
Fax: +31 541 585459

Norway - Langhus

Tel: +47 6491 1000
Fax: +47 6491 1090

Poland - Warsaw

Tel: +48 22 863 49 42
Fax: +48 22 863 49 44

**Portugal - Leça da
Palmeira**

Tel: +351 22 999 7360
Fax: +351 22 996 1527

Romania - Bucharest

Tel: +40 21 252 3382
Fax: +40 21 252 3381

Russia - Moscow

Tel: +7 095 234 0054
Fax: +7 095 234 0528

Slovenia - Novo mesto

Tel: +386 7337 6650
Fax: +386 7337 6651

Spain - Madrid

Tel: +34 91 675 7300
Fax: +34 91 675 7711

Sweden - Spånga

Tel: +46 (0) 8 5979 5000
Fax: +46 (0) 8 5979 5110

Switzerland - Biel

Tel: +41 32 3653711
Fax: +41 32 3653730

UK - Cannock

Tel: +44 1543 456000
Fax: +44 1543 456001

Ukraine - Kiev

Tel: + 380 44 220 7432
Fax: + 380 44 220 6534



Parker Pneumatic B.V.

Nijverheidsweg 1
331 LJ Hendrik-Ido-Ambacht
The Netherlands